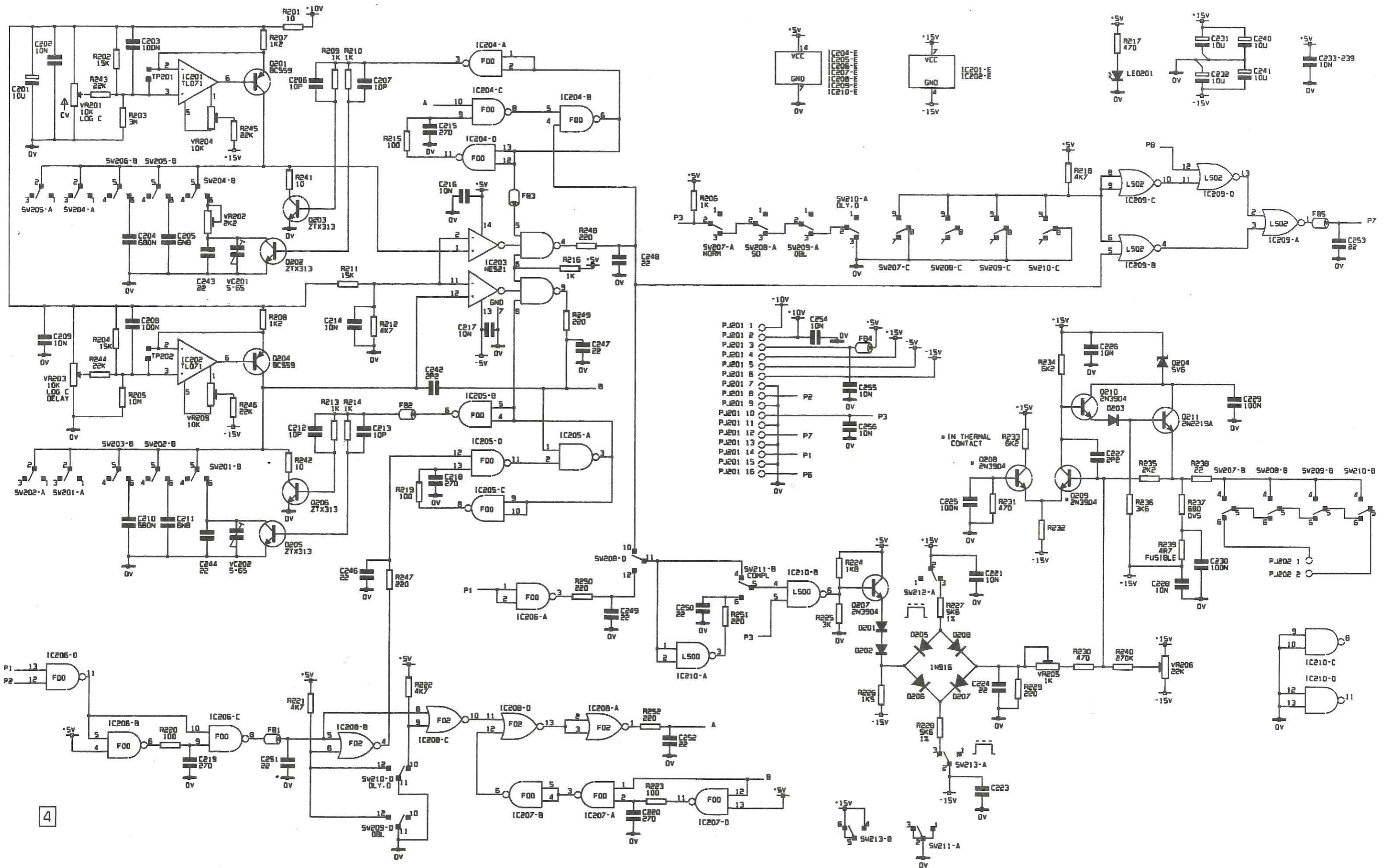


D201, 202, 203
ARE 1N4148
NOTE 1. Q208 AND Q209 ARE IN THERMAL CONTACT.
NOTE 2. See Parts changes, page 40

Pulse Board Circuit Diagram - up to Issue 4



Pulse Board Circuit Diagram - Issue 5 onwards